



ENTRUST

User Reference Guide

Entrust Artista® CR805 Retransfer Card Printer



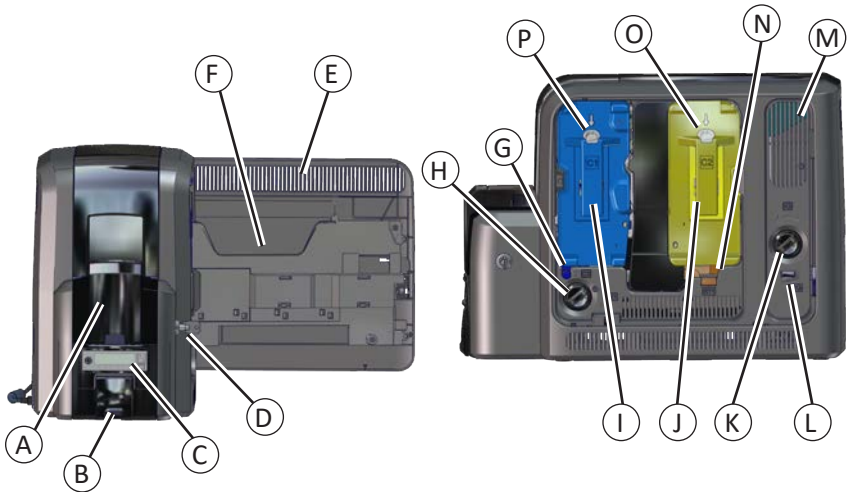
ENTRUST

Artista CR805 Retransfer Card Printer

Contents

The CR805 Card Printer.....	3
The CR805 Printer with Optional Multi-Hopper	4
Load Cards in a Single-Hopper Printer.....	5
Use the Exception Slot.....	6
Load Cards in a Multi-Hopper Printer.....	7
Use the Multi-Hopper Exception Slide	9
Replace the Color Ink Ribbon.....	10
Replace the Cleaning Sleeve	12
Replace the Retransfer Film	14
Empty the Reject Tray.....	16
Clear a K1 Horizontal Transport Card Jam	17
Clear a K2 Vertical Transport Card Jam.....	19
Clear a Flipper Card Jam	20
Repair a Broken Ink Ribbon	21
Repair Broken Retransfer Film	22
Check the Power Connection.....	23
Check the Data Connection.....	24
Common Printer LCD Messages	25
Common Print Quality Concerns.....	26
Cleaning Schedule	27
Use the Isopropanol Cleaning Card	28
Use the Adhesive Cleaning Card	32
Clean the Printhead.....	36
Clean the Printhead Cam Rollers.....	40
The CR805 Card Printer with Optional CLM Laminator	42
Replace Laminator Supplies.....	43
Empty the Laminator Reject Tray	45
Clear a Laminator Card Jam	46
Clean the Laminator	47
Check the Laminator Power Connection	49
Check the Laminator Data Connection.....	50
Common Laminator LCD Messages	51

The CR805 Card Printer

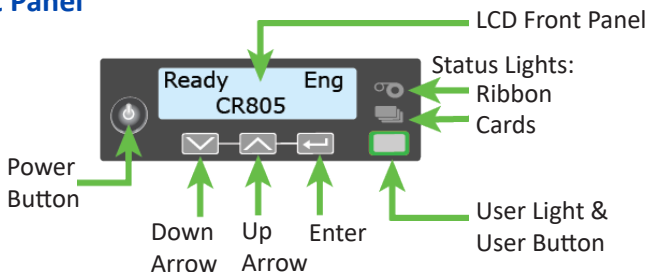


- | | | | |
|---|-----------------------------------|---|--|
| A | Input Hopper | J | Retransfer Cartridge (C2) |
| B | Output Hopper | K | Manual Advance Knob (K2) |
| C | Front Panel | L | Rear Access Door Release (K3) |
| D | Printer Lock (optional, see note) | M | Vertical Transport Area |
| E | Printer Access Door | N | Reject Tray (RT1) |
| F | <i>User Reference Guide Slot</i> | O | Retransfer Film Cartridge Release Button |
| G | Cleaning Spindle Handle (C3) | P | Ink Ribbon Cartridge Release Button |
| H | Manual Advance Knob (K1) | | |
| I | Ink Ribbon Cartridge (C1) | | |



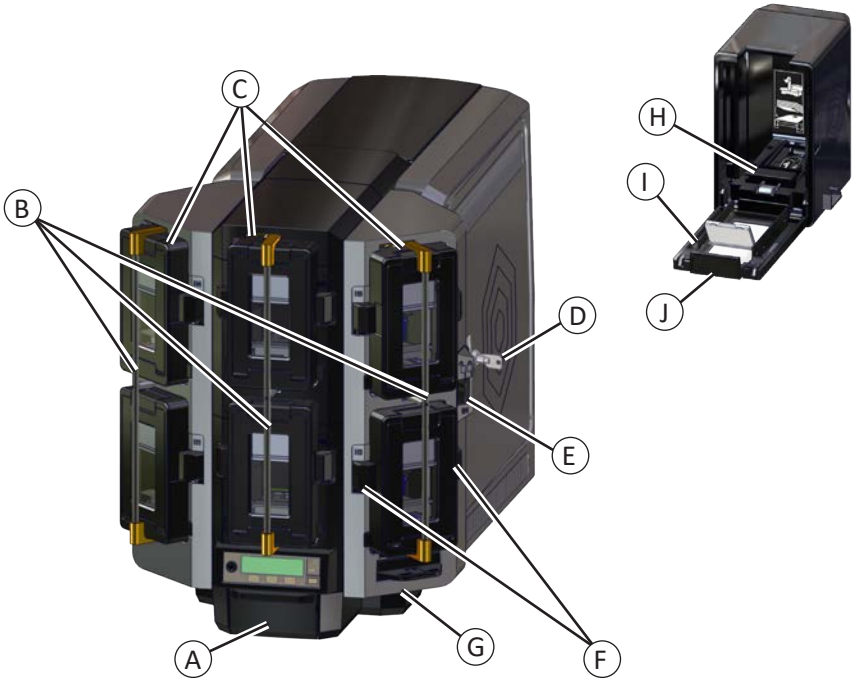
If your printer does not have locks, disregard instructions that ask you to unlock or lock the printer.

Front Panel



Artista CR805 Retransfer Card Printer

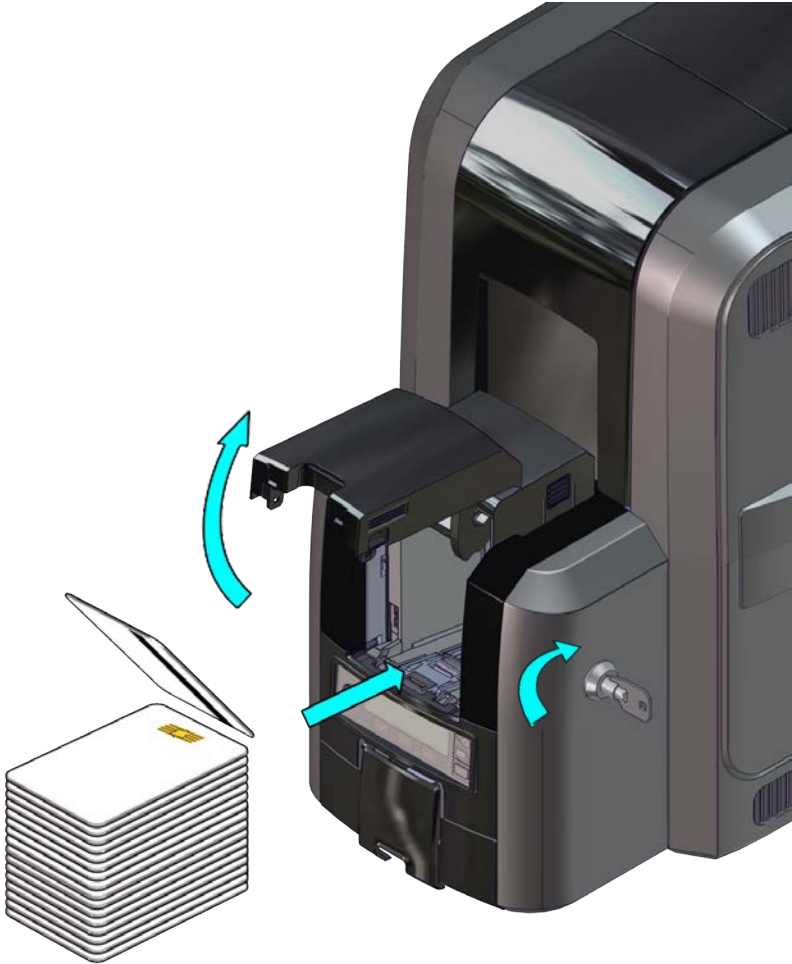
The CR805 Printer with Optional Multi-Hopper



- A = Output Hopper
- B = Hopper Lock Bars
- C = Input Hoppers 1–6
- D = Multi-Hopper Lock
- E = Lock Bar Release Button (B1)

- F = Cartridge Release Buttons
- G = Exception Slide
- H = Card Weight
- I = Cartridge Door
- J = Cartridge Door Release Button

Load Cards in a Single-Hopper Printer



Artista CR805 Retransfer Card Printer

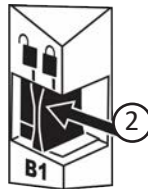
Use the Exception Slot



Load Cards in a Multi-Hopper Printer

a

1. Unlock the multi-hopper lock.
2. Slide the lock bar release button (B1) to the left.
3. Rotate a lock bar to the left.

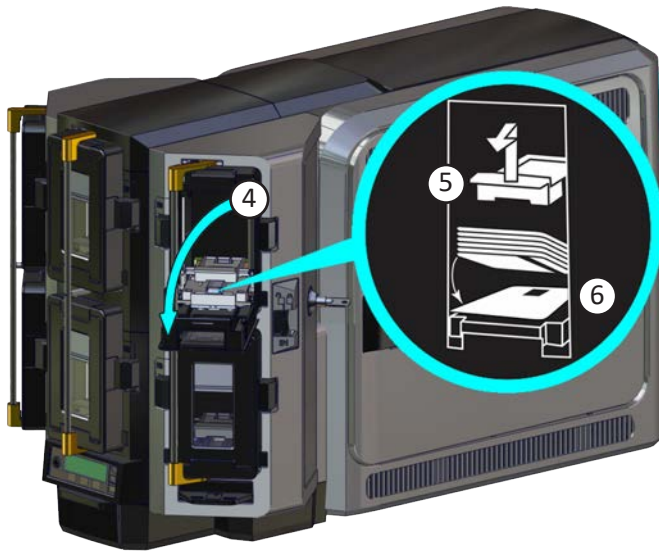


Artista CR805 Retransfer Card Printer

Load Cards in a Multi-Hopper Printer (cont.)

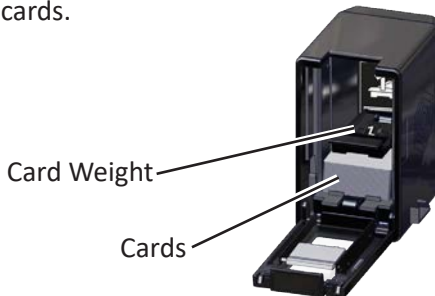
b

4. Press the cartridge release button at the top of the cartridge and open the cartridge door.
5. Lift the card weight to the top of the cartridge and pull it forward until it locks in position.
6. Load the cards into the cartridge.



c

Close the cartridge door to release the card weight so that it rests on top of the cards.

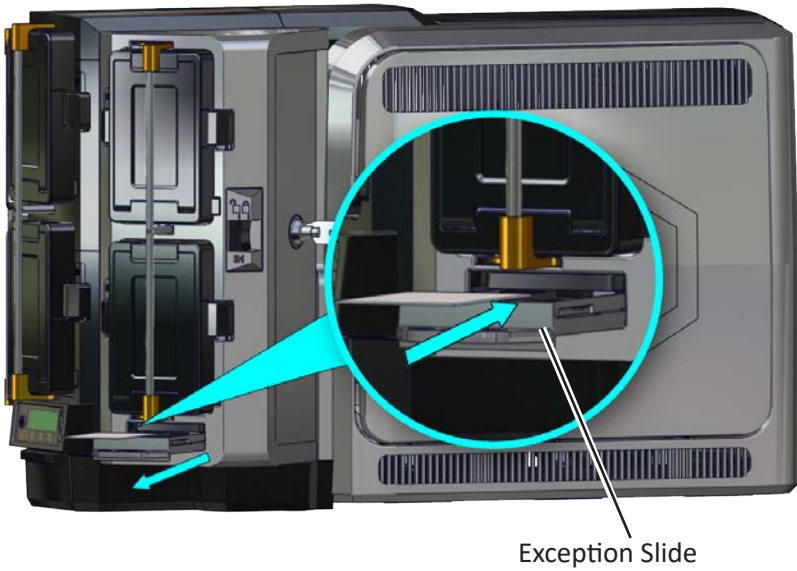


d

Repeat for each input hopper cartridge.
Return all locks to the locked position when finished.

Use the Multi-Hopper Exception Slide

- a** Pull out the multi-hopper exception slide and insert the card.

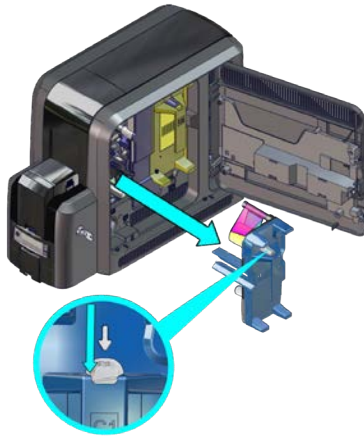


- b** Push in the exception slide.

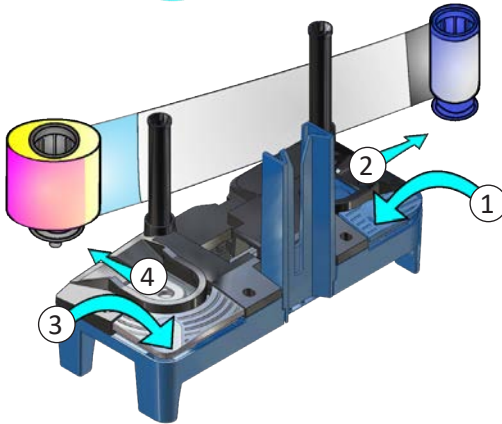
Artista CR805 Retransfer Card Printer

Replace the Color Ink Ribbon

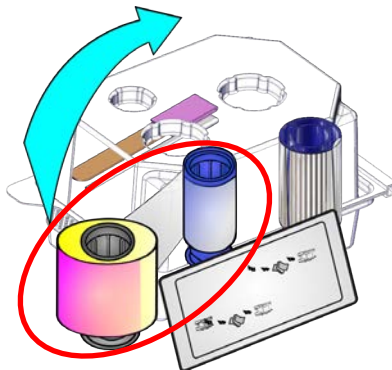
a



b

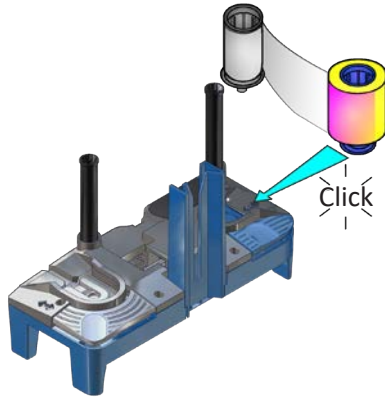


c

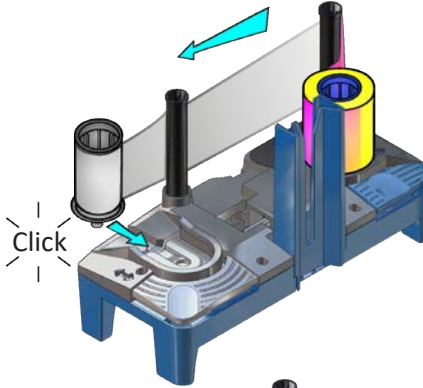


Replace the Color Ink Ribbon (cont.)

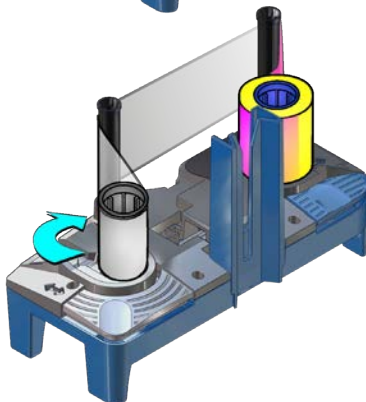
d



e



f



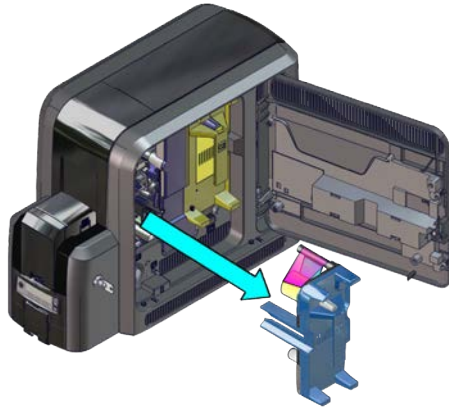
g

Replace the ink ribbon cartridge in the printer.

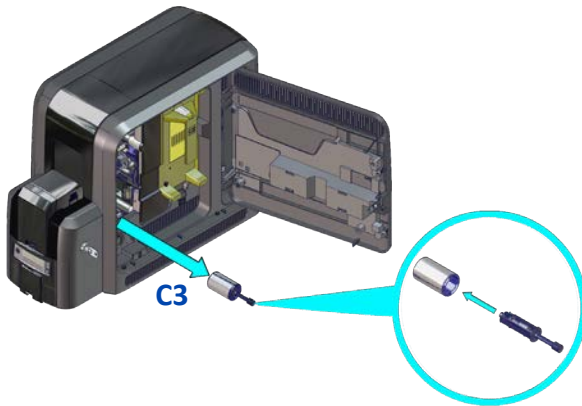
Artista CR805 Retransfer Card Printer

Replace the Cleaning Sleeve

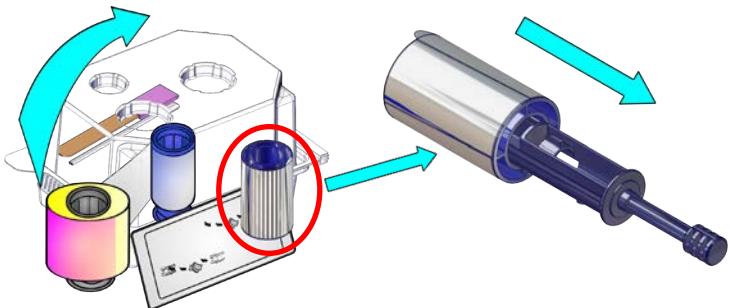
a



b

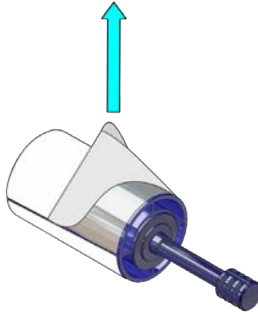


c

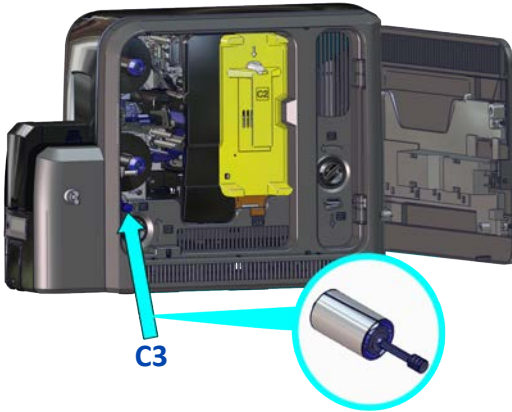


Replace the Cleaning Sleeve (cont.)

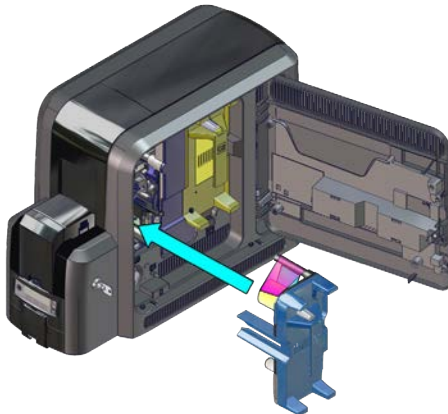
d



e



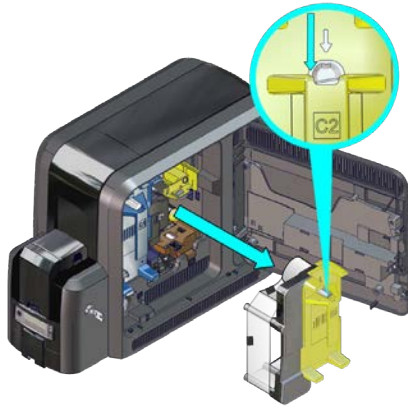
f



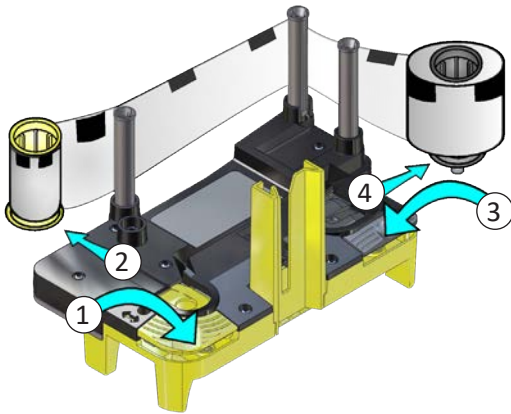
Artista CR805 Retransfer Card Printer

Replace the Retransfer Film

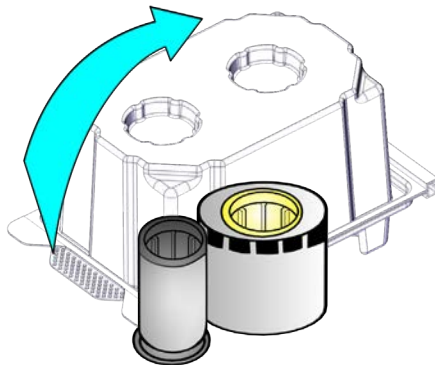
a



b

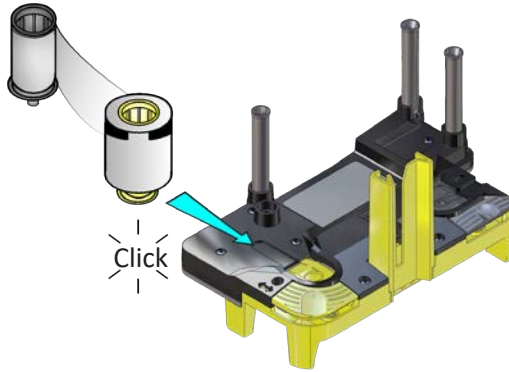


c

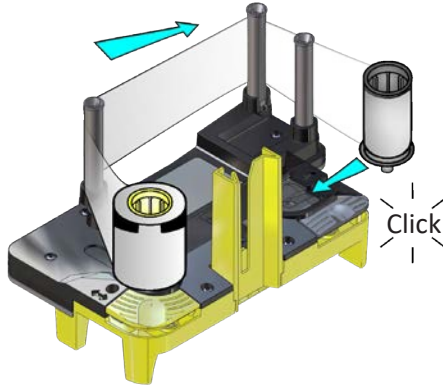


Replace the Retransfer Film (cont.)

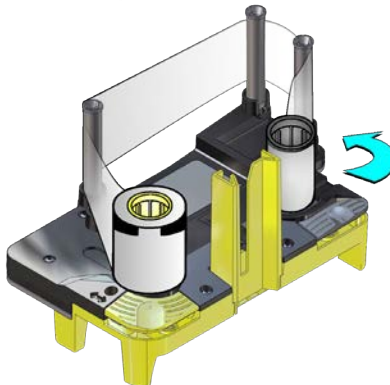
d



e



f



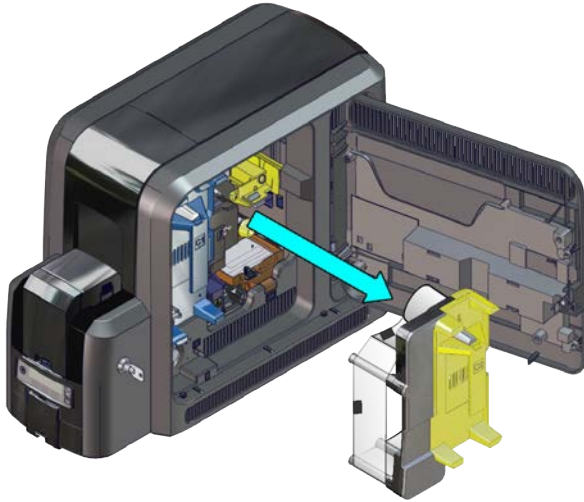
g

Replace the retransfer film cartridge in the printer.

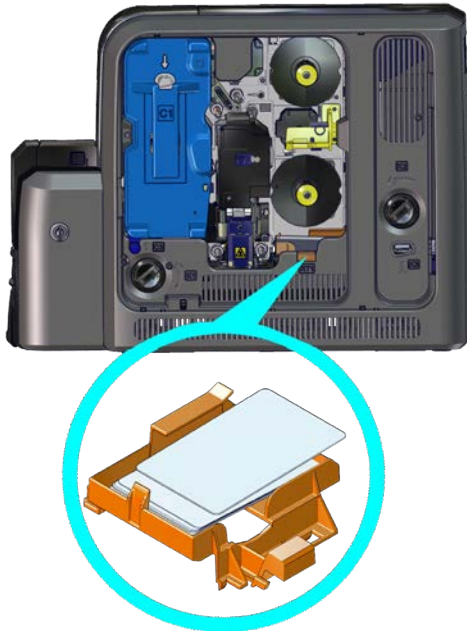
Artista CR805 Retransfer Card Printer

Empty the Reject Tray

a



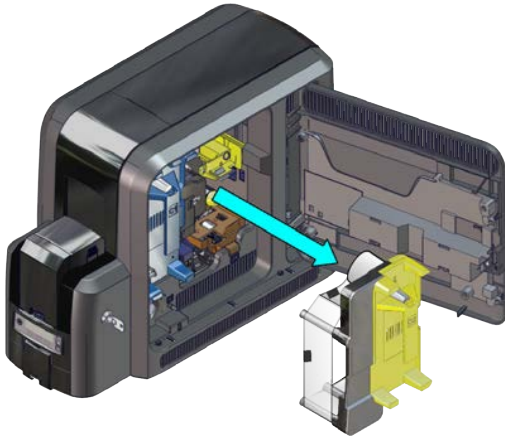
b



Clear a K1 Horizontal Transport Card Jam

Single-Hopper Printer

- a** Unlock the printer and open the printer access door.
Remove the retransfer film cartridge.



- b** Turn the K1 manual advance knob counterclockwise to move the jammed card into the output hopper.
Remove the card through the output hopper.



- c** Replace the retransfer film cartridge and close and lock the printer.

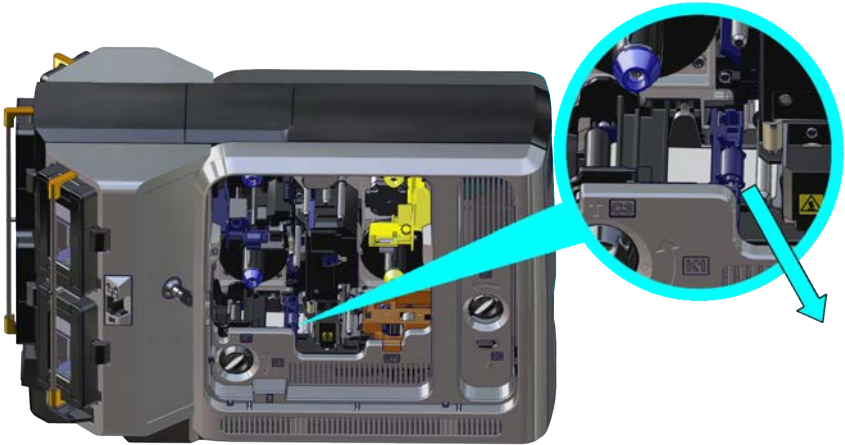
Artista CR805 Retransfer Card Printer

Clear a K1 Horizontal Transport Card Jam (cont.)

Multi-Hopper Printer

a

1. Unlock the printer and open the printer access door.
2. Remove the ink ribbon and retransfer film cartridges.
3. Locate the card in the printer. Turn the K1 manual advance knob if necessary to access the card.
4. Remove the card from the printer.



b

Replace the cartridges and close and lock the printer.

Clear a K2 Vertical Transport Card Jam

- a**
1. Unlock the printer and open the printer access door.
 2. Press the K3 rear access door release to open the rear access door.
 3. Turn the K2 manual advance knob counterclockwise to move the jammed card inside the vertical transport until it is accessible through the rear access door.



- b** Remove the card through the rear access door.

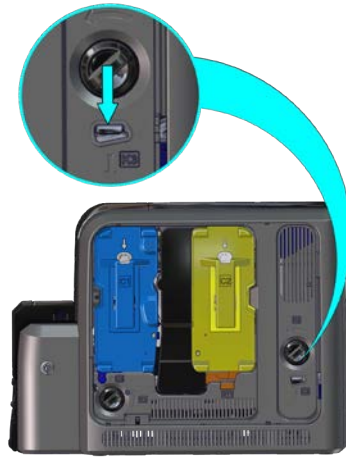


- c** Close the printer doors and lock the printer.

Artista CR805 Retransfer Card Printer

Clear a Flipper Card Jam

- a** Unlock the printer and open the printer access door.
Press the K3 rear access door release to open the rear access door.



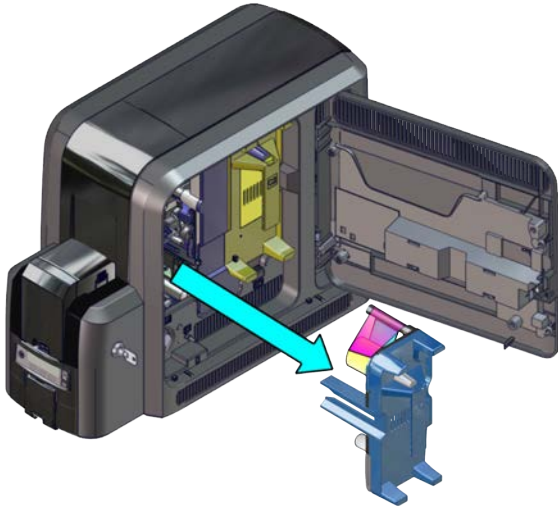
- b** Rotate the flipper module to access the card.
Remove the card through the rear access door.



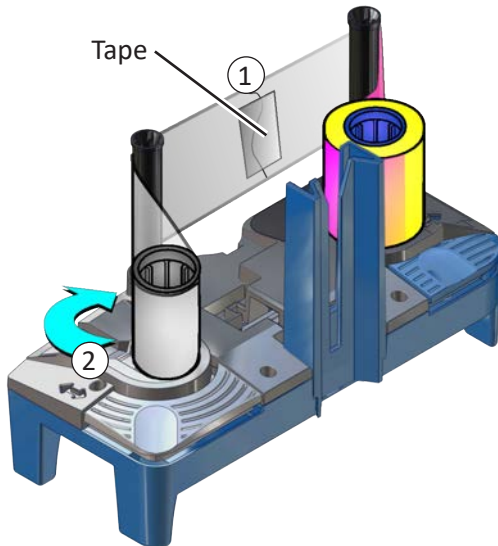
- c** Close the printer doors and lock the printer.

Repair a Broken Ink Ribbon

a



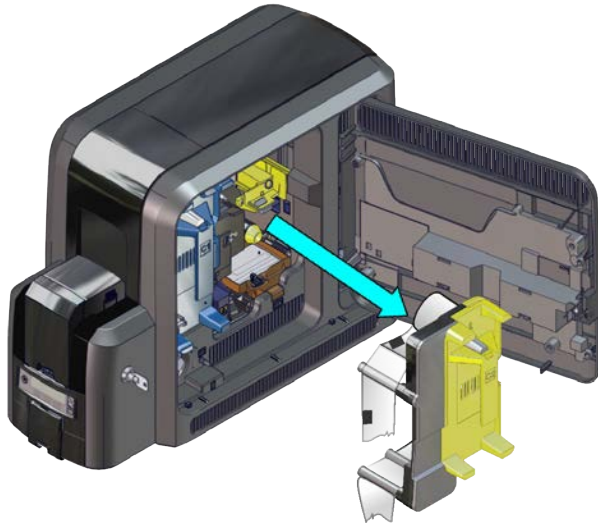
b



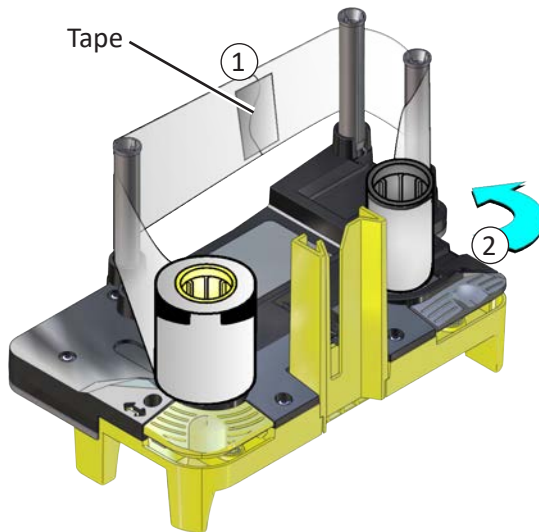
Artista CR805 Retransfer Card Printer

Repair Broken Retransfer Film

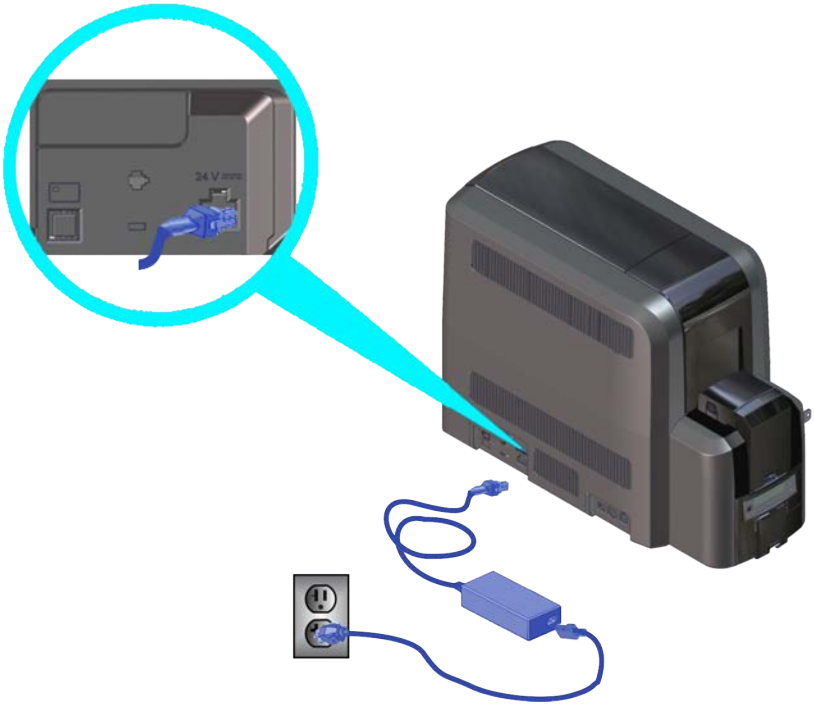
a



b



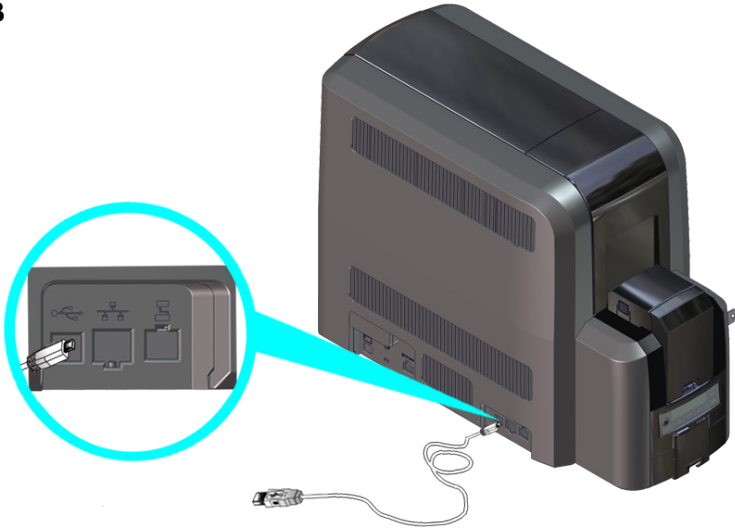
Check the Power Connection



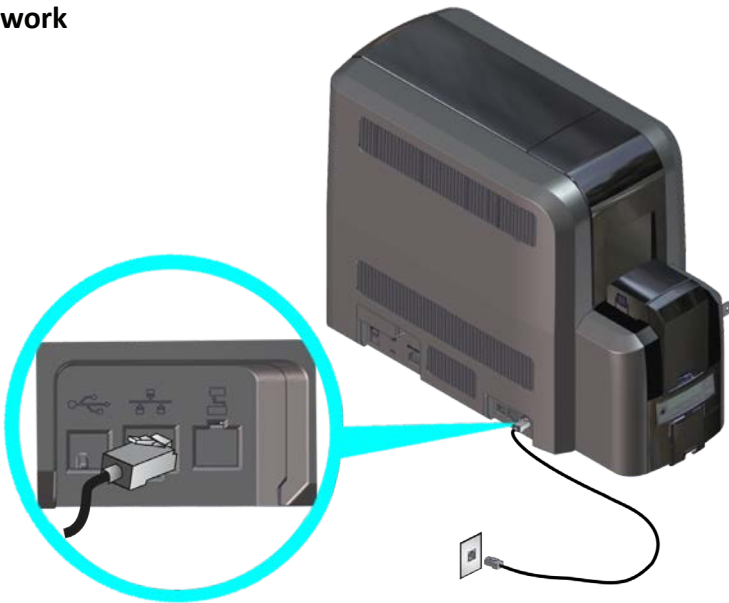
Artista CR805 Retransfer Card Printer

Check the Data Connection

USB



Network



Common Printer LCD Messages

Error Message	Refer to:
112: Card hopper empty	“Load Cards in a Single-Hopper Printer” on page 5 “Use the Exception Slot” on page 6 “Load Cards in a Multi-Hopper Printer” on page 7 “Use the Multi-Hopper Exception Slide” on page 9
166: C2 supply out or missing 167: C2 supply not identified 168: C2 supply not supported	“Replace the Retransfer Film” on page 14
172: Improper shutdown	“Check the Power Connection” on page 23 “Check the Data Connection” on page 24
175: C2 supply error	“Repair Broken Retransfer Film” on page 22
234: K1 transport card jam	“Clear a K1 Horizontal Transport Card Jam” on page 17
235: K2 transport card jam	“Clear a K2 Vertical Transport Card Jam” on page 19
236: Flipper module rotate error	“Clear a Flipper Card Jam” on page 20
237: C1 supply out or missing 238: C1 supply not identified 239: C1 supply not supported	“Replace the Color Ink Ribbon” on page 10 “Replace the Cleaning Sleeve” on page 12
240: C1 supply error	“Repair a Broken Ink Ribbon” on page 21
242: RT1 reject tray full	“Empty the Reject Tray” on page 16
277: Multi-hopper pick error	“Load Cards in a Multi-Hopper Printer” on page 7

Artista CR805 Retransfer Card Printer

Common Print Quality Concerns

Problem	Cause	Solution
Non-repeating color dots on cards	Dust on the ink ribbon or retransfer film	<ul style="list-style-type: none">• Advance the supply, or• “Replace the Color Ink Ribbon” on page 10• “Replace the Retransfer Film” on page 14
Wrinkles appear on cards	Supplies are wrinkled	<ul style="list-style-type: none">• Advance the supply, or• “Replace the Color Ink Ribbon” on page 10• “Replace the Retransfer Film” on page 14
Blurred or discolored images Small unprinted areas on cards	<ul style="list-style-type: none">• Fingerprints, debris, or scratches on cards• Debris inside the printer• The printhead is dirty	<ul style="list-style-type: none">• Make sure cards are clean• Clean the printer. Refer to the “Cleaning Schedule” on page 27• “Replace the Cleaning Sleeve” on page 12• “Clean the Printhead” on page 36
Repeating color dots on multiple cards	Dust or debris on the cam rollers	“Clean the Printhead Cam Rollers” on page 40
Color or white streaks appear on cards	Dust or debris on the printhead	<ul style="list-style-type: none">• Print another card to see if the problem continues• “Clean the Printhead” on page 36

- Refer to the *CR805 Retransfer Card Printer User’s Guide* for additional troubleshooting information.
 - Also refer to the [“Cleaning Schedule” on page 27](#) for best-practices recommendations for maintaining the printer.
-

Cleaning Schedule

Follow the recommended cleaning schedule to maintain the printer and obtain the best print quality.

Schedule	Action	Procedure
When you change the ink ribbon	Clean the printer with the isopropanol cleaning card.	<ul style="list-style-type: none"> • “Single-Hopper Printer” on page 28 • “Multi-Hopper Printer” on page 29
	Replace the cleaning sleeve (C3).	“Replace the Cleaning Sleeve” on page 12
	Clean the printhead	“Clean the Printhead” on page 36
If you see particles on completed cards	Replace the cleaning sleeve (C3).	“Replace the Cleaning Sleeve” on page 12
	Clean the printer with the adhesive cleaning card.	<ul style="list-style-type: none"> • “Single-Hopper Printer” on page 32 • “Multi-Hopper Printer” on page 33
If you see color or white lines on completed cards	Clean the printhead	“Clean the Printhead” on page 36
If you see repeating color dots on completed cards	Clean the printhead cam rollers.	“Clean the Printhead Cam Rollers” on page 40



When you clean the printer using either the isopropanol or adhesive cleaning card, remove the ink ribbon (C1) and retransfer film (C2) cartridges, and the cleaning sleeve.

Artista CR805 Retransfer Card Printer

Use the Isopropanol Cleaning Card

Use the isopropanol cleaning card regularly to clean the printer. Refer to the [“Cleaning Schedule”](#) on page 27.

Single-Hopper Printer

a Unlock the printer and remove the supply cartridges and cleaning sleeve.

Open the input hopper and remove the unprinted cards. Handle the cards by the edges, or wear card inspection gloves.



b Open the cleaning card package and remove the isopropanol cleaning card.

Isopropanol
Cleaning Card



c Load the cleaning card in the input hopper.

If the cleaning card appears bowed, insert it as shown.

Card Without Bow



Card With Bow



d Close the input hopper and lock the printer.

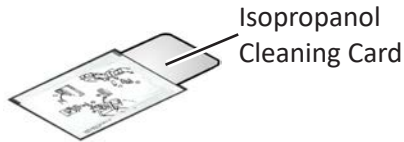
Continue with [“Run the Isopropanol Cleaning Card”](#) on page 30.

Use the Isopropanol Cleaning Card (cont.)

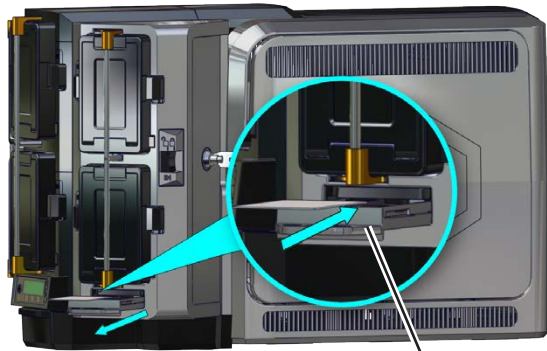
Multi-Hopper Printer

a Unlock the printer and remove the supply cartridges and cleaning sleeve.

b Remove the cleaning card from its package.



- c**
1. Pull out the multi-hopper exception slide and insert the cleaning card.
 2. Push in the exception slide.



If the cleaning card appears bowed, insert it as shown.

Card Without Bow



Card With Bow

d Continue with [“Run the Isopropanol Cleaning Card”](#) on page 30.

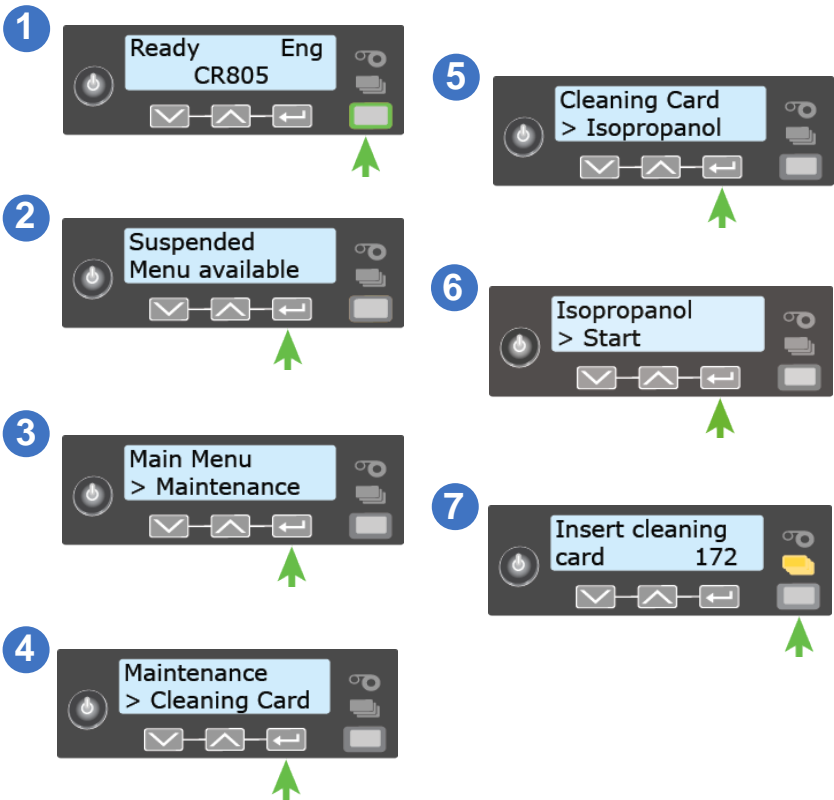
Artista CR805 Retransfer Card Printer

Use the Isopropanol Cleaning Card (cont.)

Run the Isopropanol Cleaning Card

a

Use the LCD panel to run the isopropanol cleaning card

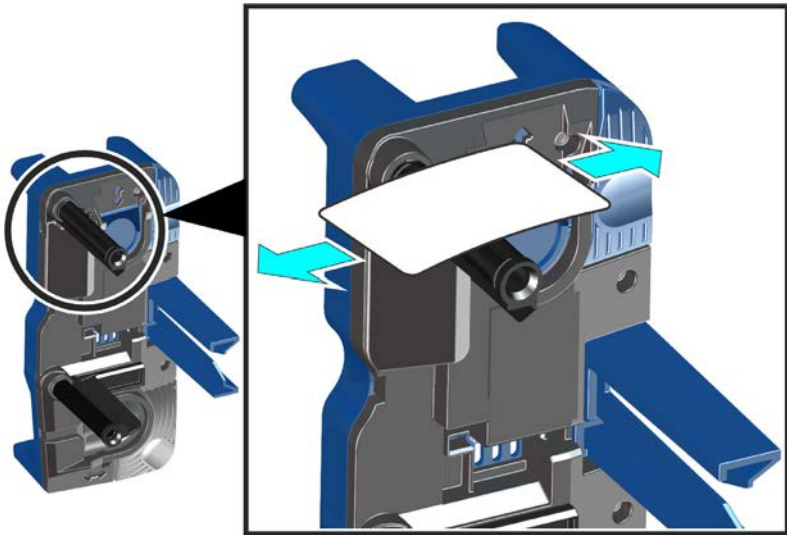


Printers without locks: Remove the cleaning card from the output hopper and discard it. Retrieve and save the cleaning card to clean the upper ribbon guide.

Printers with locks: The cleaning card can remain in the printer reject tray (RT1) until the tray is emptied. Retrieve and save the cleaning card to clean the upper ribbon guide.

Use the Isopropanol Cleaning Card (cont.)

- b** After the cleaning card is used to clean the printer, reuse it to wipe debris from the upper ribbon guide post on the ribbon cartridge.



- c** Replace the supply cartridges in the printer, install a new cleaning sleeve, and return the cards to the single input hopper.

Artista CR805 Retransfer Card Printer

Use the Adhesive Cleaning Card

Use the adhesive cleaning card to remove particles that result from the retransfer process. Refer to the [“Cleaning Schedule” on page 27](#) for information about when to use the adhesive cleaning card.

Single-Hopper Printer

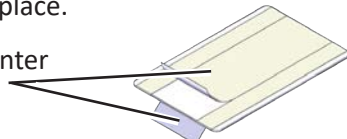
a Unlock the printer and remove the supply cartridges and cleaning sleeve.

Open the input hopper and remove the unprinted cards. Handle the cards by the edges, or wear card inspection gloves.



b Peel off the center strips on both sides of the adhesive cleaning card. Leave the side strips in place.

Peel Off Center Strips Only



c Load the adhesive cleaning card in the input hopper.

If the cleaning card appears bowed, insert it as shown.

Card Without Bow

Card With Bow



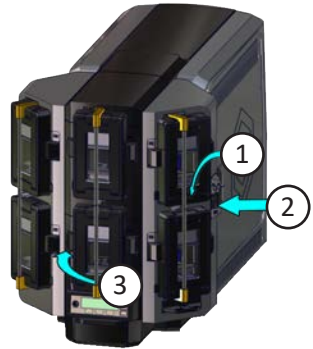
d Close the input hopper and lock the printer.
Continue with [“Run the Adhesive Cleaning Card” on page 35](#).

Use the Adhesive Cleaning Card (cont.)

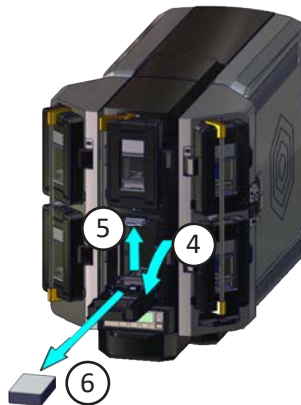
Multi-Hopper Printer

a Unlock the printer and remove the supply cartridges and cleaning sleeve.

- b**
1. Unlock the multi-hopper door lock.
 2. Slide the lock bar release button (B1) to the left to release the hopper lock bars.
 3. Rotate the center lock bar to the left to provide access to the H2 and H5 multi-hopper input cartridges.



- c**
4. Press the cartridge release button at the top of the H2 cartridge and open the cartridge door.
 5. Lift the card weight to the top of the cartridge and pull it forward until it locks in position.
 6. Remove the unprinted cards from the H2 cartridge. Handle the cards by the edges, or wear card inspection gloves.

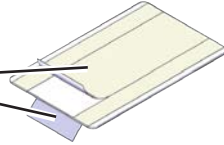


Artista CR805 Retransfer Card Printer

Use the Adhesive Cleaning Card (cont.)

- d** Peel off the center strips on both sides of the adhesive cleaning card. Leave the side strips in place.

Peel Off Center
Strips Only



- e** Load the adhesive cleaning card in the H2 cartridge and close the cartridge door.

If the cleaning card appears bowed, insert it as shown.

Card Without Bow



Card With Bow



Do not insert the adhesive cleaning card in the exception slide of the multi-hopper.

- f** Lock the multi-hopper.

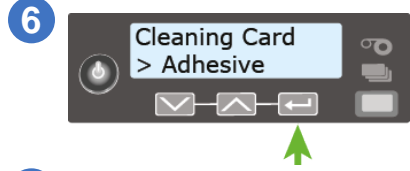
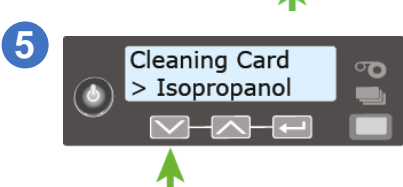
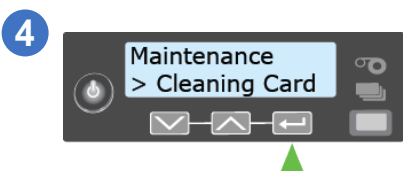
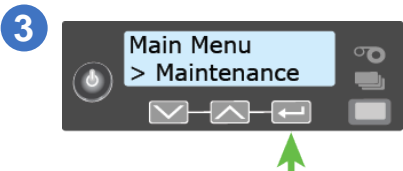
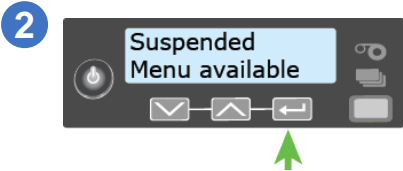
1. Rotate the center lock bar to the right to the lock position.
2. Slide the lock bar release button to the right to lock the lock bars into place.
3. Lock the multi-hopper door lock.

- g** Continue with [“Run the Adhesive Cleaning Card”](#) on page 35.

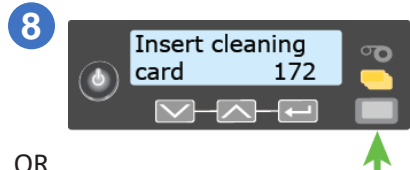
Use the Adhesive Cleaning Card (cont.)

Run the Adhesive Cleaning Card

a Use the LCD panel to run the adhesive cleaning card.

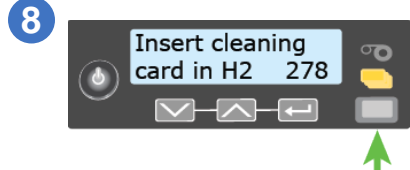


If you are cleaning a single-hopper printer, the following message displays.



OR

If you are cleaning a multi-hopper printer, the following message displays.



b Remove the adhesive cleaning card from the printer reject tray.

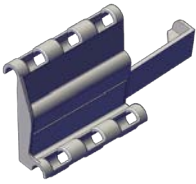
c Replace the supply cartridges, install a new cleaning sleeve, and return the cards to the input hopper of a single-hopper printer, or the H2 cartridge of a multi-hopper printer.

Artista CR805 Retransfer Card Printer

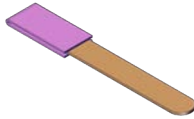
Clean the Printhead

Clean the printhead each time you change the ink ribbon, or if you notice print quality concerns.

Use the following items to clean the printhead.



Lapping Stick Support



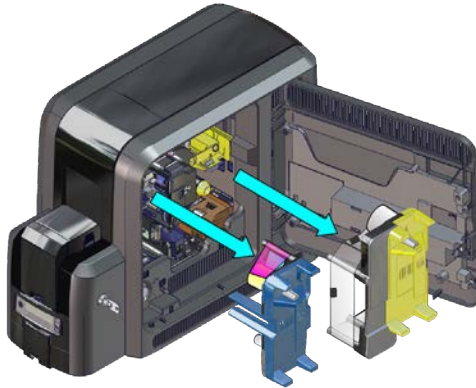
Lapping Stick



Cleaning Swab

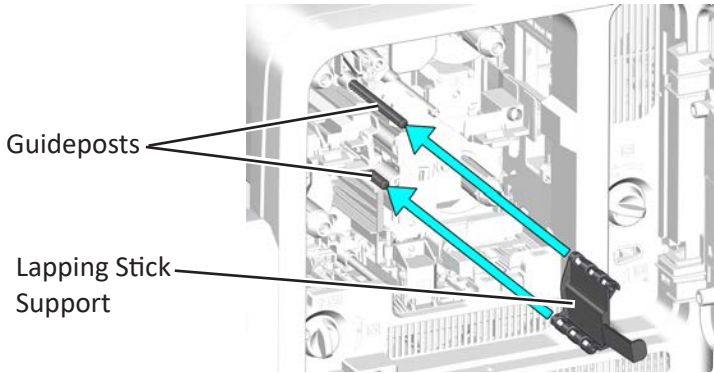
a

1. Power off and unlock the printer.
2. Open the printer access door and remove the ink ribbon (C1) and retransfer film (C2) cartridges.



Clean the Printhead (cont.)

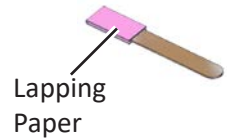
- b** Insert the lapping stick support into the printer. The support tool fits over the cartridge guideposts and slides into the printer.



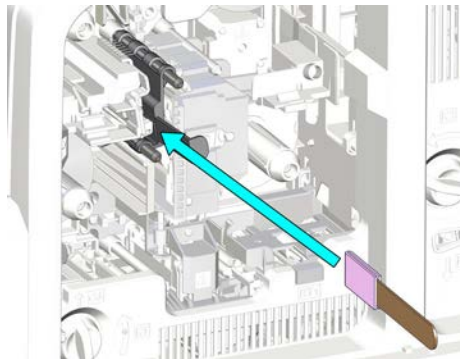
- c** Clean the printhead with the lapping stick.



Do not remove the pink lapping paper from the lapping stick.



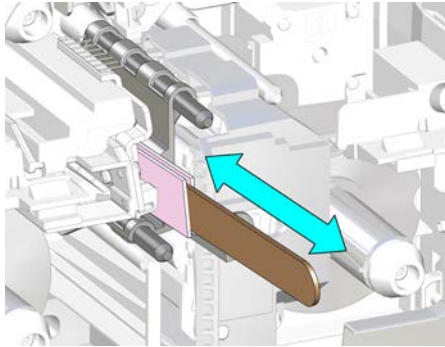
1. Insert the lapping stick into the lower portion of the support tool. Slide it in until it stops.



Artista CR805 Retransfer Card Printer

Clean the Printhead (cont.)

2. Move the lapping stick back and forth 3 times to clean the printhead.



3. Remove the lapping stick from the support tool.

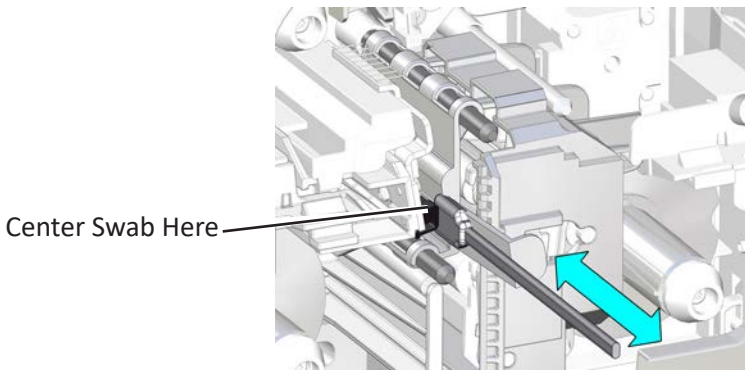


You can use the lapping stick twice, one cleaning per side. Store the lapping stick after the first use.

d

Clean the printhead with the cleaning swab.

1. Open the cleaning swab package.
2. Insert the cleaning swab into the support tool. Center the swab as shown in the illustration (or toward the top of the support tool handle).



Clean the Printhead (cont.)

3. Move the cleaning swab back and forth 3 times to remove any remaining debris from the printhead area.
4. Remove the cleaning swab from the support tool.

e

Remove the support tool from the printer.



Do not discard the lapping stick support tool. Retain it for future cleaning use.

f

1. Replace the ink ribbon and retransfer film cartridges and close and lock the printer access door.
2. Power on the printer.
3. Print one or more test cards to verify the print quality.



- Use only the lapping stick and cleaning swab to clean the printhead. Other materials can stick to the printhead and cause damage.
- Discard the lapping stick after the second use.
- Use the cleaning swab one time only. Discard the swab after cleaning the printhead.

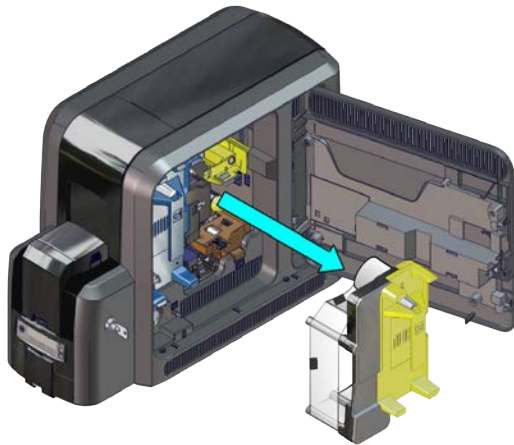
Artista CR805 Retransfer Card Printer

Clean the Printhead Cam Rollers

Use the adhesive cleaning card to clean the printhead cam rollers.

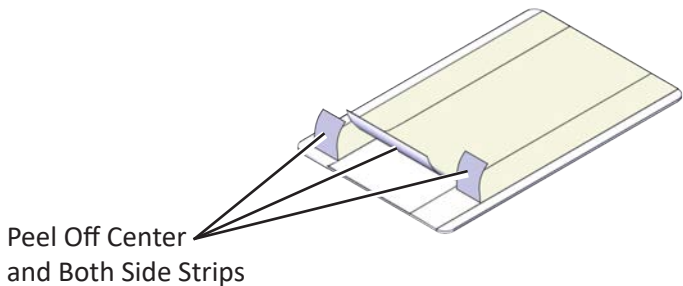
a

1. Power off the printer.
2. Unlock the printer and open the printer access door.
3. Remove the retransfer film cartridge (C2) from the printer.



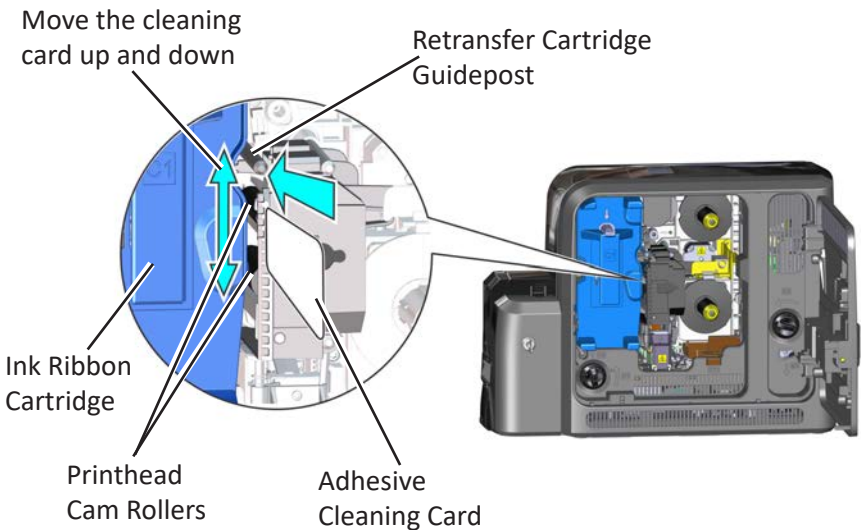
b

Peel off the center and both side strips from one side of the adhesive cleaning card.



Clean the Printhead Cam Rollers (cont.)

- C**
1. Insert the cleaning card into the printer between the retransfer cartridge guidepost and the rollers. Make sure that the adhesive side of the card faces to the right and touches the rollers.
 2. Move the cleaning card up and down along the rollers to remove debris.

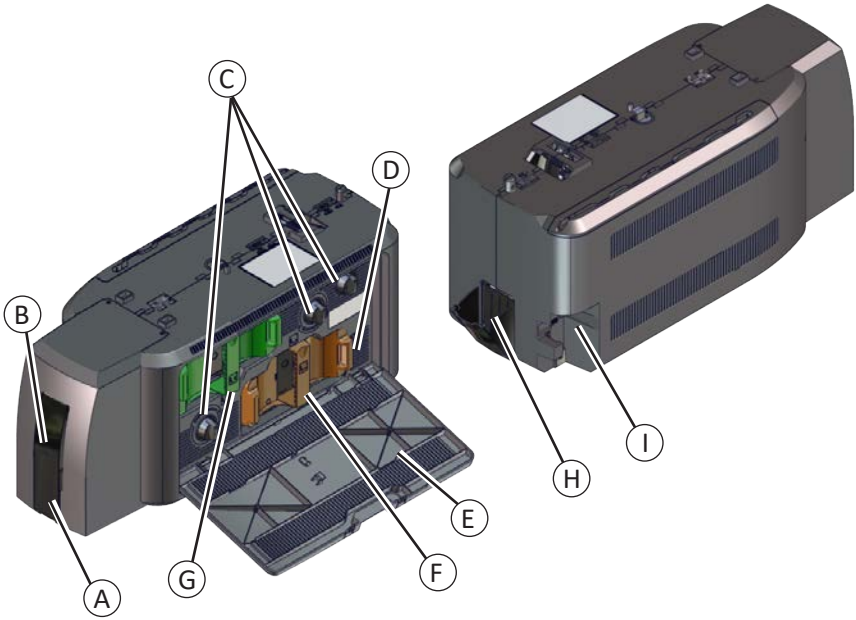


- d**
1. Replace the retransfer film cartridge.
 2. Close and lock the printer.
 3. Restart the printer.

- e**
1. Discard the used cleaning card.

Artista CR805 Retransfer Card Printer

The CR805 Card Printer with Optional CLM Laminator

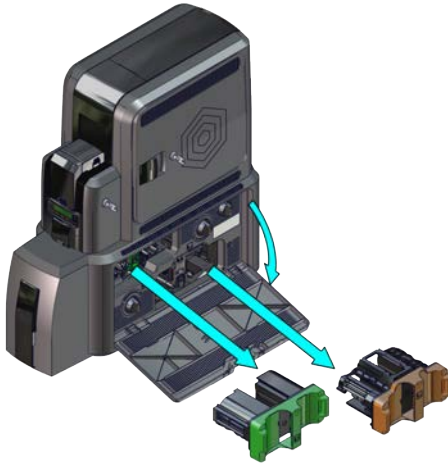


- A = Card Output Hopper
- B = Impresser
- C = Manual Advance Knobs
- D = Reject Tray Release Button
- E = Laminator Access Door

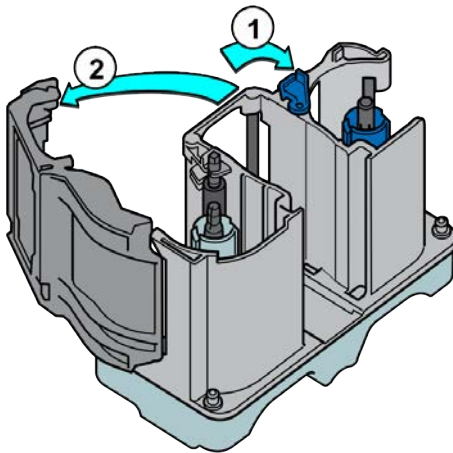
- F = L2 Laminator
- G = L1 Laminator
- H = Reject Tray
- I = Laminator Power Connect

Replace Laminator Supplies

a



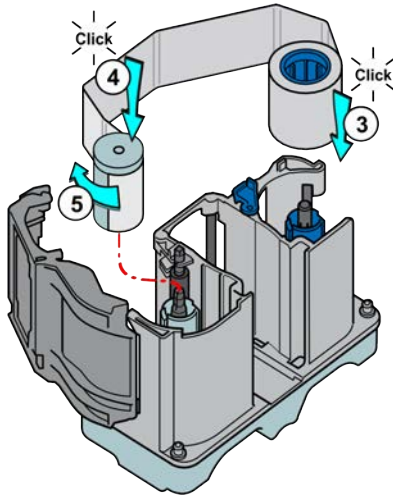
b



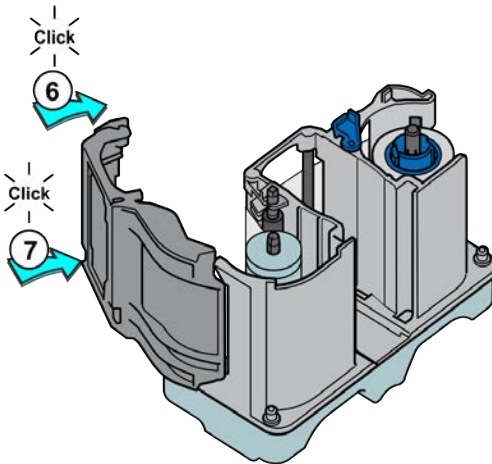
Artista CR805 Retransfer Card Printer

Replace Laminator Supplies (cont.)

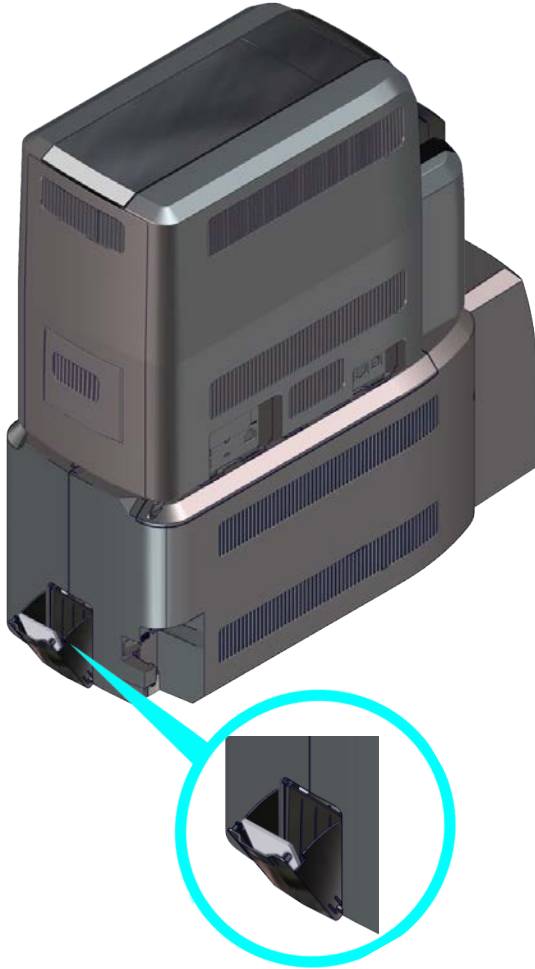
C



d



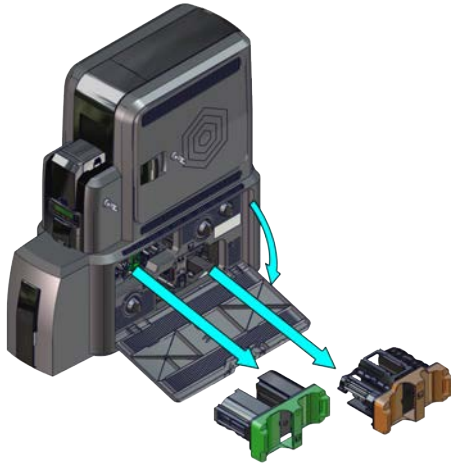
Empty the Laminator Reject Tray



Artista CR805 Retransfer Card Printer

Clear a Laminator Card Jam

a

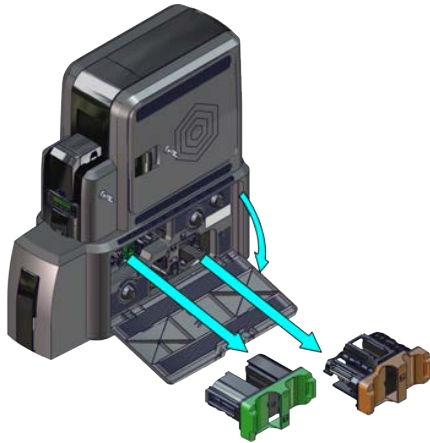


b



Clean the Laminator

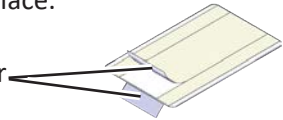
a



b

Peel off the center strips from both sides of the adhesive cleaning card. Leave the side strips in place.

Peel Off Center Strips Only



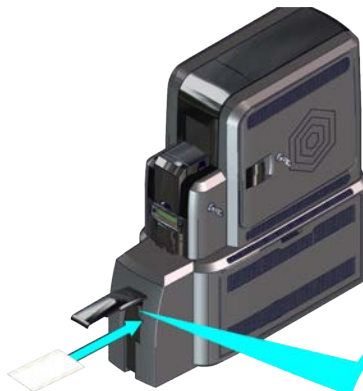
c

If the cleaning card appears bowed, insert it as shown.

Card Without Bow



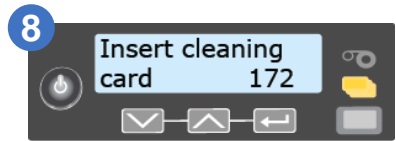
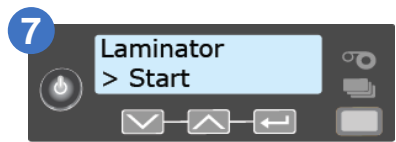
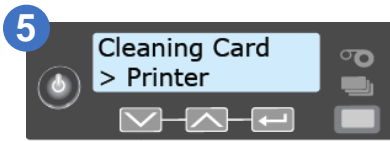
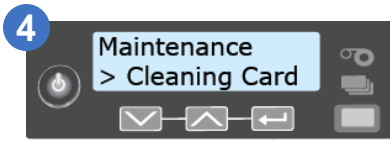
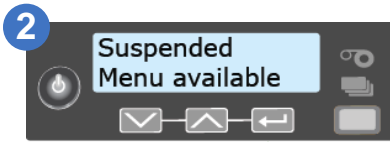
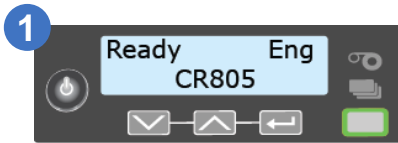
Card With Bow



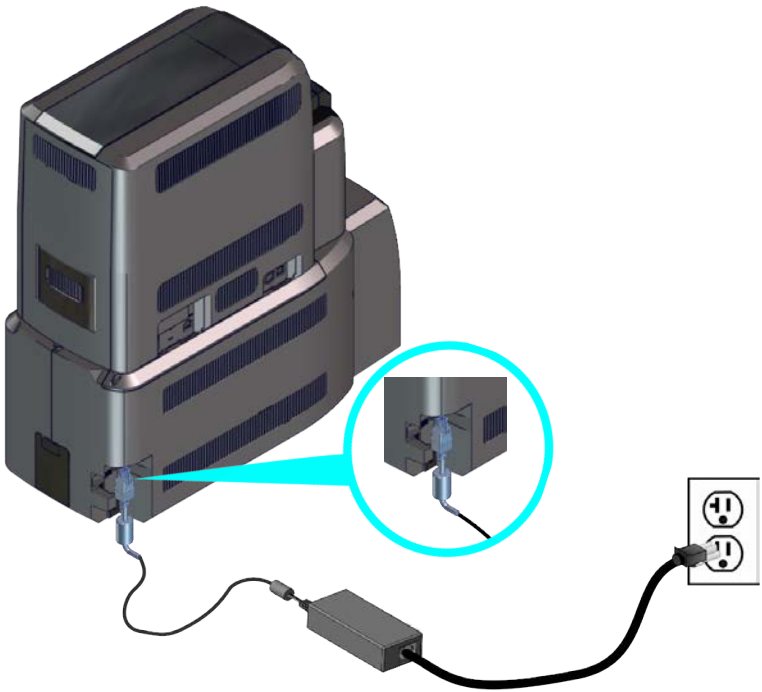
Artista CR805 Retransfer Card Printer

Clean the Laminator (cont.)

d



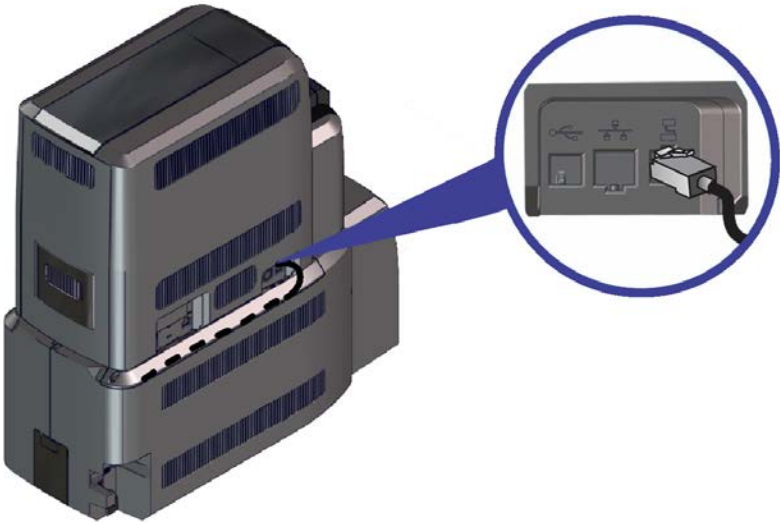
Check the Laminator Power Connection



Artista CR805 Retransfer Card Printer

Check the Laminator Data Connection

Printer-to-Laminator Connection



Common Laminator LCD Messages

Error Message	Refer to:
177: Laminator not available	“Check the Laminator Power Connection” on page 49 “Check the Laminator Data Connection” on page 50
197: Laminator entry card problem 198: L1 area card problem 199: L2 area card problem 200: Laminator exit card problem	“Clear a Laminator Card Jam” on page 46
201: L1 supply problem 202: L1 supply out or missing 203: L1 supply type problem 204: L1 supply not supported 205: L1 supply not identified 206: L2 supply problem 207: L2 supply out or missing 208: L2 supply type problem 209: L2 supply not supported 210: L2 supply not identified	“Replace Laminator Supplies” on page 43

WARNING: This product contains chemicals, including lead, known to the State of California to cause cancer, and birth defects or other reproductive harm.

Wash hands after handling.



WARNING: This product can expose you to chemicals including Di(2-ethylhexyl)phthalate (DEHP), which is known to the State of California to cause cancer, and Di(2-ethylhexyl)phthalate (DEHP) and Butyl benzyl phthalate (BBP), which are known to the State of California to cause birth defects or other reproductive harm. For more information, go to www.P65Warnings.ca.gov and <https://www.entrust.com/legal-compliance/environmental-product-certifications>.



ENTRUST

1187 Park Place

Minneapolis, Minnesota 55379

952.933.1223 • 952.933.7971 Fax

www.entrust.com

Entrust, Sigma and the hexagon design are trademarks, registered trademarks and/or service marks, and Datacard is a registered trademark and service mark, of the Entrust Corporation in the United States and other countries. All other trademarks are the property of their respective owners.

© 2016 - 2024. The design and information contained in these materials is protected